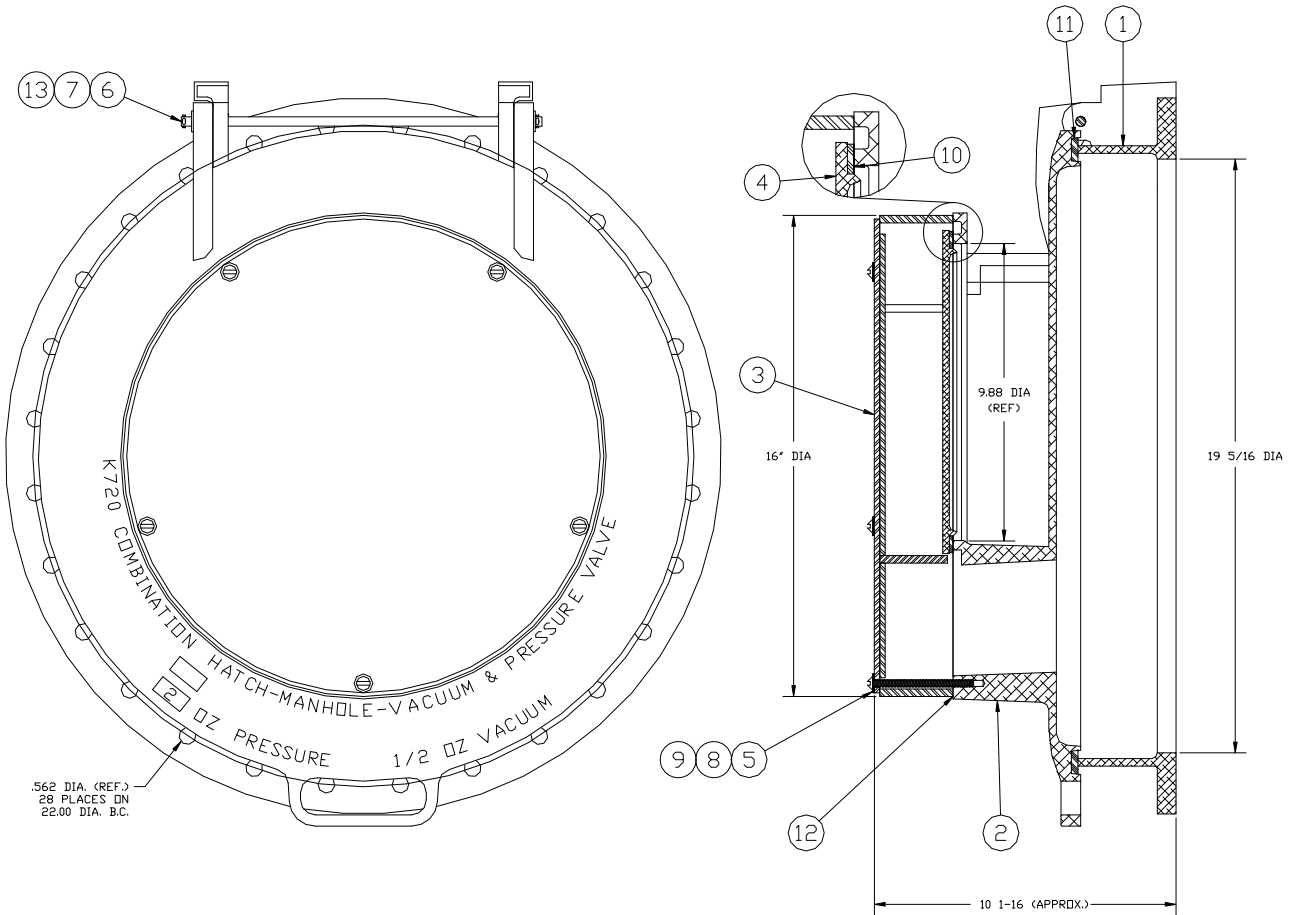




AN OPW FLUID TRANSFER GROUP COMPANY

HC Series 20" Pressure / Vacuum Hatch



PARTS BREAK DOWN

| ITEM | PART NUMBER | DESCRIPTION | QTY. |
|------|-------------|--------------------------|------|
| 1 | 1661 | BASE (ALUMINUM) | 1 |
| 1 | 4878* | BASE (AL. HEAT TREATED) | 1 |
| 2 | 1662 | COVER (ALUMINUM) | 1 |
| 2 | 4879* | COVER (AL. HEAT TREATED) | 1 |
| 3 | SEE CHART | DOMES ASSEMBLY | 1 |
| 4 | 1663 | VACUUM POPPET | 1 |
| 5 | 1666 | SCREW (PLATED) | 5 |
| 6 | 3798 | HINGE PIN (PLATED) | 2 |
| 7 | 1567 | COTTER PIN (PLATED) | 2 |
| 8 | 1328 | WASHER (NYLON) | 5 |
| 9 | 1691 | WASHER (PLATED) | 5 |
| 10 | 1664 | POPPET GASKET | 1 |

| ITEM | PART NUMBER | DESCRIPTION | QTY. |
|------|-------------|-----------------|------|
| 11 | 1665 | COVER GASKET | 1 |
| 12 | 6347 | DOMES GASKET | 1 |
| 13 | 1670 | WASHER (PLATED) | 2 |

| DOMES ASSY / PRESSURE CHART | | |
|-----------------------------|-----------|------------------------|
| ASSY P/N | DOMES P/N | DESCRIPTION |
| HC1120 | 1680 | DOMES ASSEMBLY (1 OZ.) |
| HC1110 | 3797 | DOMES ASSEMBLY (2 OZ.) |
| HC1111 | 3800 | DOMES ASSEMBLY (4 OZ.) |
| HC1112 | 3801 | DOMES ASSEMBLY (5 OZ.) |
| HC1113 | 3802 | DOMES ASSEMBLY (6 OZ.) |

* Heat Treated Base and Covers used on Hatches greater than 4oz. Pressure



PHONE: (816) 741-6600 • (888) 526-5657 • Fax: (816) 741-1061
 4304 Mattox Road • Kansas City, MO 64150 • www.knappco.com

Rev. A, Nov. 2009