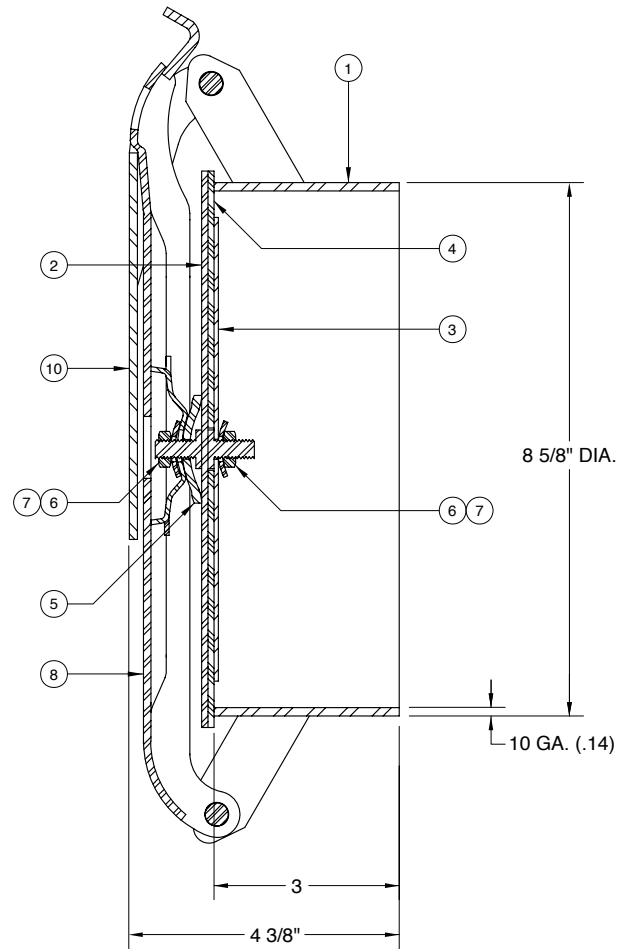
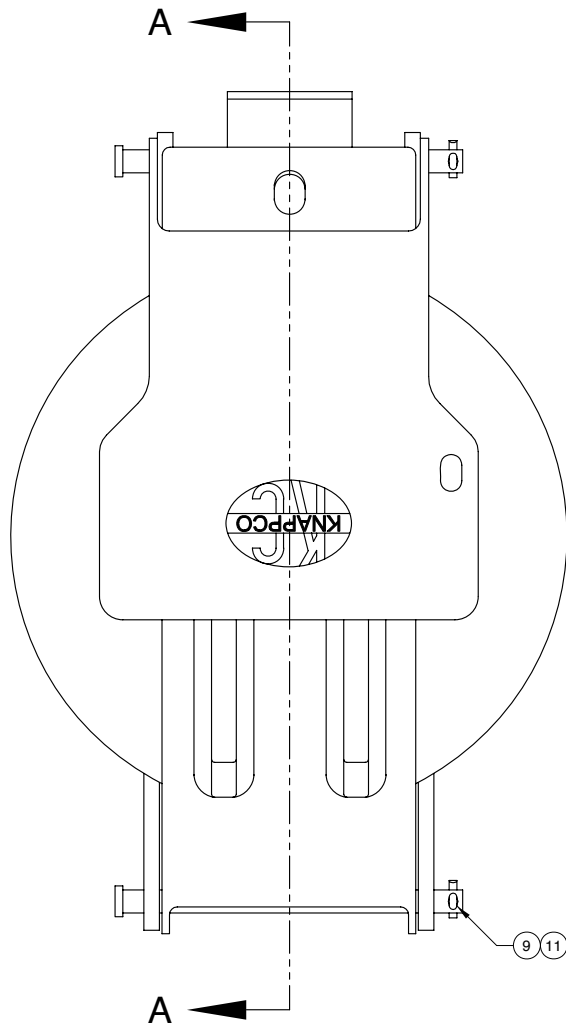




AN **OPW** FLUID TRANSFER GROUP COMPANY

LA1110 8" Fill Cover Assembly



SECTION A-A

ITEM	PART NUMBER	DESCRIPTION	QTY.
1	1638	WELD RING ASSY (STEEL)	1
2	1634	FILL COVER ASSY (STEEL)	1
3	1639	GASKET RETAINER (STEEL)	1
4	1641	GASKET (BUNA)	1
5	1101	COVER WASHER (PLATED)	1
6	1117	FORMED WASHER (PLATED)	2
7	1104	HEX NUT	2
8	3377	STRONGBACK ASSY (STEEL)	1
9	2106	CLEVIS PIN (PLATED)	2

ITEM	PART NUMBER	DESCRIPTION	QTY.
10	1125	LATCH (STEEL)	1
11	1045	COTTER PIN (PLATED)	2

ALTERNATE SEALING MEDIA

PART NUMBER	DESCRIPTION
4739	GASKET (WHITE NEOPRENE)
2568	GASKET (HIGH TEMP.)
5080	GASKET (VITON)
2678	GASKET (TEFLON ENVELOPE)



PHONE: (816) 741-6600 • (888) 526-5657 • Fax: (816) 741-1061
 4304 Mattox Road • Kansas City, MO 64150 • www.knappco.com